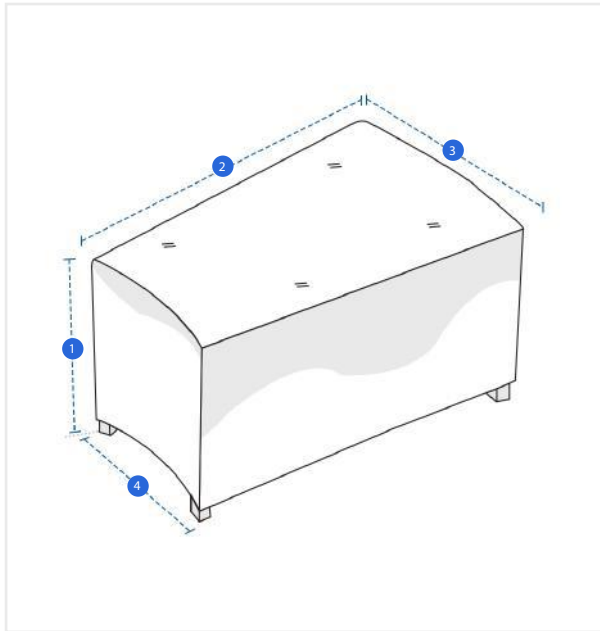


# How to Measure Wedge Ottoman Covers

## Measurement Instruction

- ✓ Give exact measurement from edge to edge.
- ✓ "We add upto 2" leeway on the given width/depth for easy pull-in and pull-out."
- ✓ The height dimensions will remain same as provided by you.



### Measurement (Inches)

1. Height

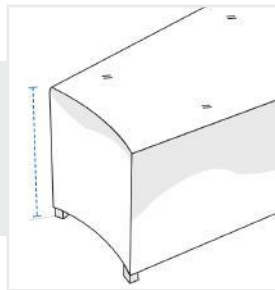
2. Width

3. Depth #1

4. Depth #2

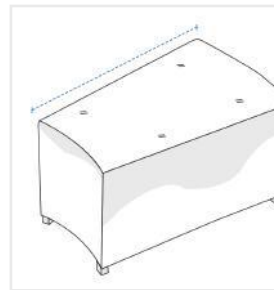
#### 1. Height:

Height of the Wedge Ottoman



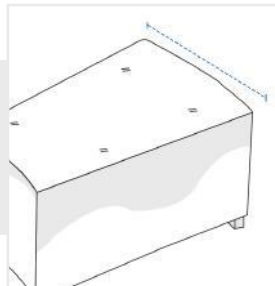
#### 2. Width:

Width of the Wedge Ottoman



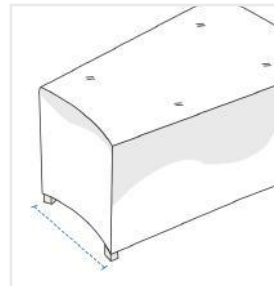
#### 3. Depth #1:

Depth (Side #1)



#### 4. Depth #2:

Depth (Side #2)



We encourage you to upload the image of the article you need the cover for - this helps our team ensure covers are designed keeping your requirements in mind.