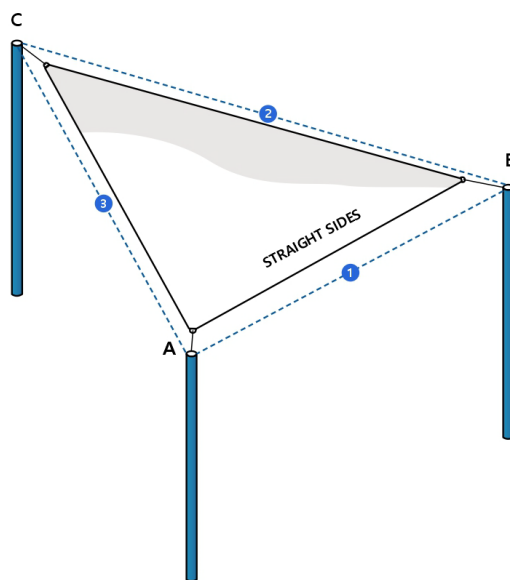


Final Sail size will vary basis on whether the option of accessory is selected or not. However, we don't guarantee its fit in your space. Therefore, please be very sure about the measurements you provide to us. Once the order is placed, it will not be adjusted to compensate for any hardware.

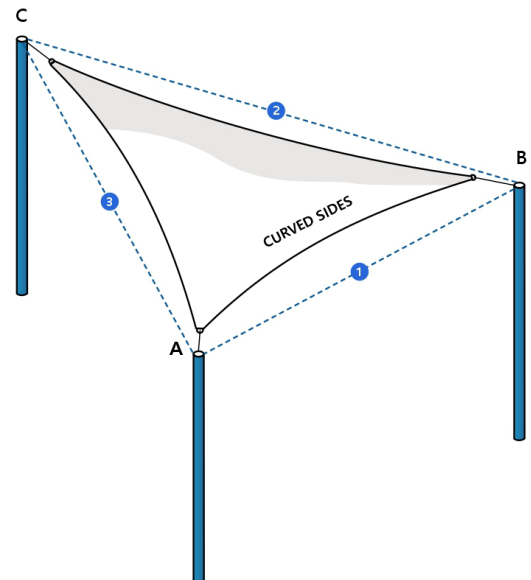
Hardware (except Triangle D Ring) is not included in the pricing and should be ordered separately.

## INSTRUCTIONS

- You need to share the dimensions of the whole space, which needs to be covered between the two hang points. These hang points can be between two poles or between a pole and a building.
- In case you purchase accessories, the **diagonal length of the sunshade sail will be reduced by 14" from each corner to compensate for the required accessories.** This will help to ease the installation process. Image representation below –



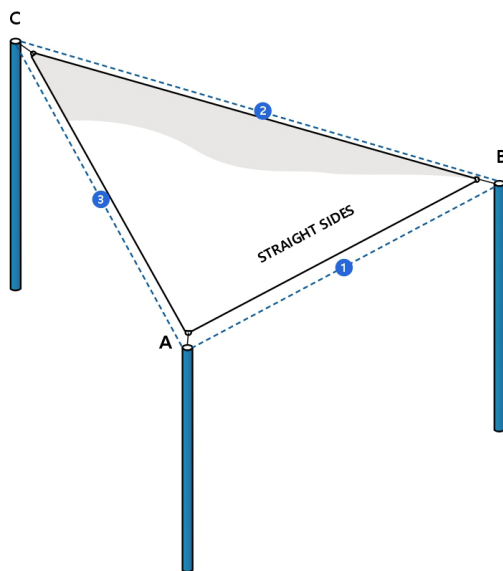
WITH ACCESSORIES



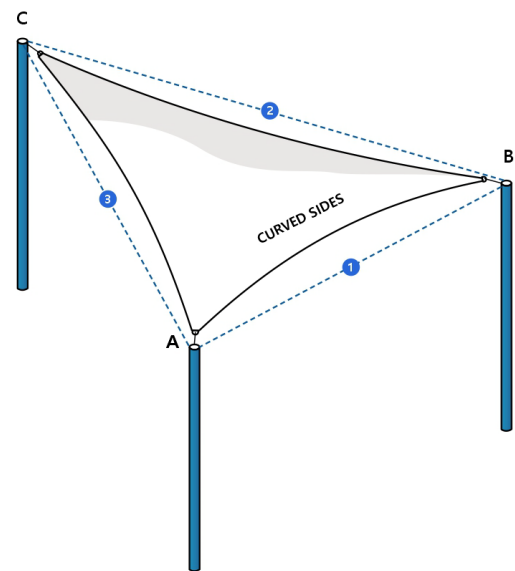
WITH ACCESSORIES

- Blue dotted lines represent the measurements shared by you (A-B,B-C etc).
- Black lines is the final fabricated shade sail that you will receive.

- In case of no additional accessories, the length and width of the sunshade sails will remain the same if you opt for sunshade sails without curves. In the case of curved sides, we will provide 1" of leeway since the material is non-stretchable.
- The curvature of the sunshade sails is fixed. It will be 3" if the length size is below 100" and 5" if the length size is above 100".
- Sunshade sails will be provided with sewn edges for reinforcement.
- In case of the sizes above 9.5ft, the sunshade sails will have seam joints accordingly.



WITHOUT ACCESSORIES



WITHOUT ACCESSORIES

- The diagonal dimensions are required to determine the final shape of the sail. However, the final fabric dimensions may or may not measure up to the given dimensions.
- These sails are made as per the provided measurements. It is advised to reuse the hardware or adjust the hardware on your own.

We encourage you to upload the image of the article you need the shade for. This helps our team to ensure that the cover is designed as per your requirements.