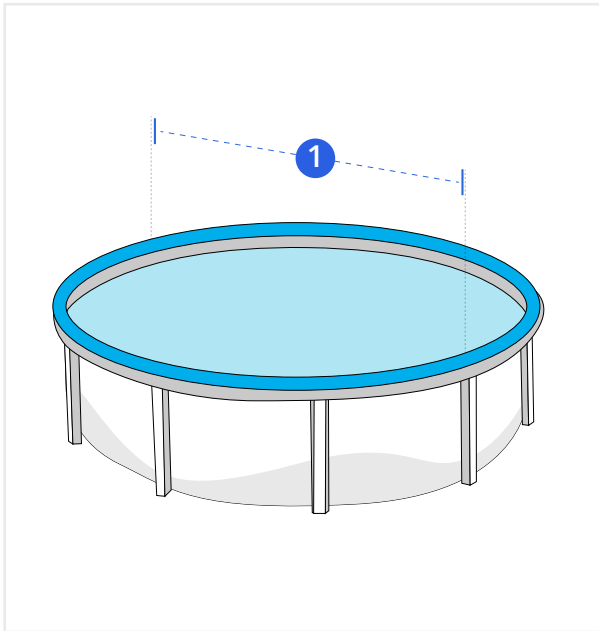


# How to Measure Round Pool Covers - Above Ground

## Measurement Instruction

✓ Give exact measurement from edge to edge.

✓ We add 24" leeway on each side.

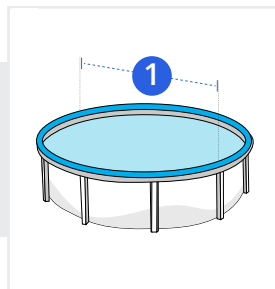


## Measurement (Inches)

1. Diameter

### 1. Diameter:

Diameter of the Pool Cover



We encourage you to upload the image of the article you need the cover for - this helps our team ensure covers are designed keeping your requirements in mind.