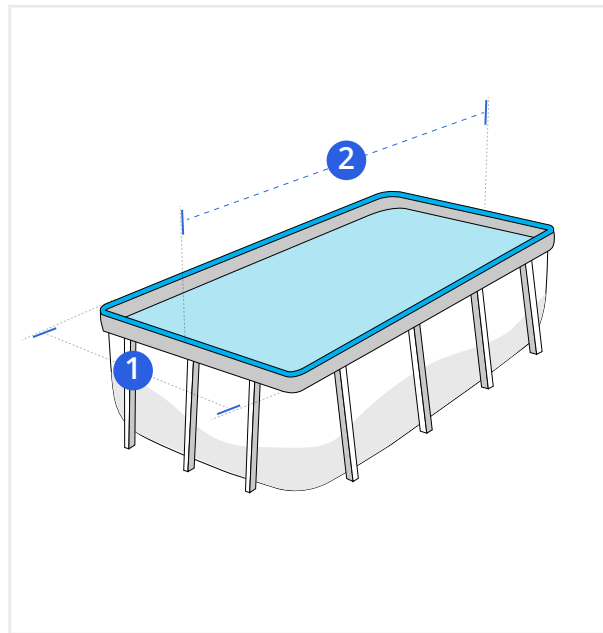


How to Measure Rectangular Pool covers - Above Ground

Measurement Instruction

✓ Give exact measurement from edge to edge.

✓ We add 24" leeway on each side.

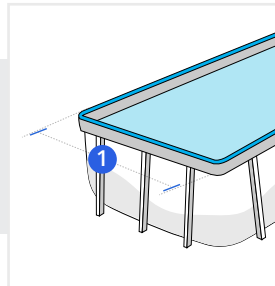


Measurement (Inches)

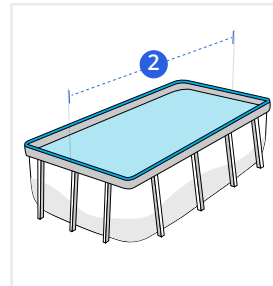
1. Length

2. Width

1. Length:
Length of the Pool Cover



2. Width:
Width of the Pool Cover



We encourage you to upload the image of the article you need the cover for - this helps our team ensure covers are designed keeping your requirements in mind.