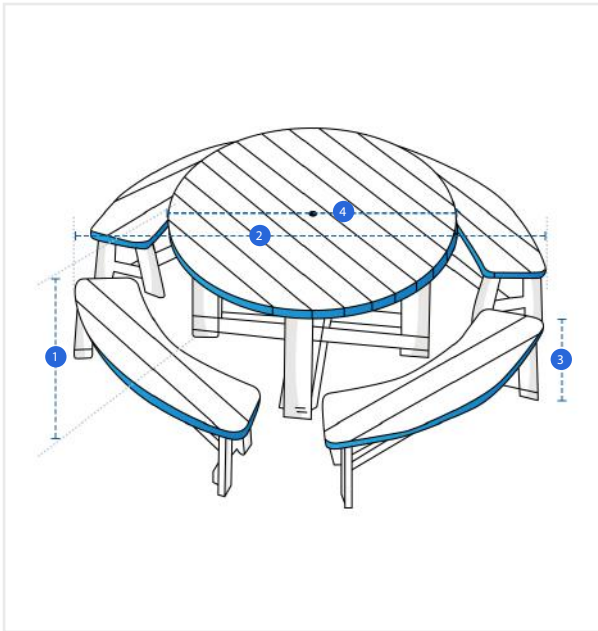


# How to Measure Picnic Table Covers - Design 2

## Measurement Instruction

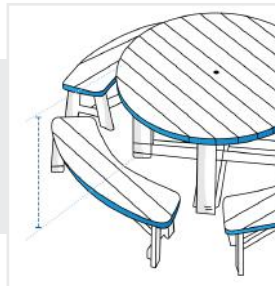
- ✓ Give exact measurement from edge to edge.
- ✓ We add 1" to 2" leeway on the given width/depth for easy pull-in and pull-out.
- ✓ The height dimensions will remain same as provided by you.



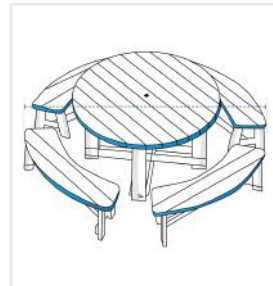
### Measurement (Inches)

1. Total Height	<input type="text"/>	2. Total Width	<input type="text"/>
3. Bench Height	<input type="text"/>	4. Table Diameter	<input type="text"/>

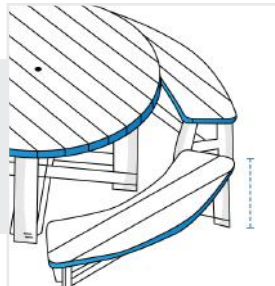
**1. Total Height:**  
Total Height of the Picnic Table



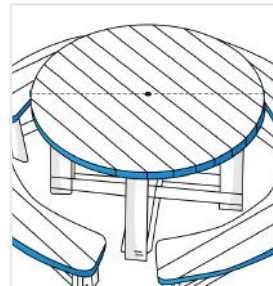
**2. Total Width:**  
Total Width of the Picnic table



**3. Bench Height:**  
Height of the Bench



**4. Table Diameter:**  
Diameter of the table



We encourage you to upload the image of the article you need the cover for - this helps our team ensure covers are designed keeping your requirements in mind.