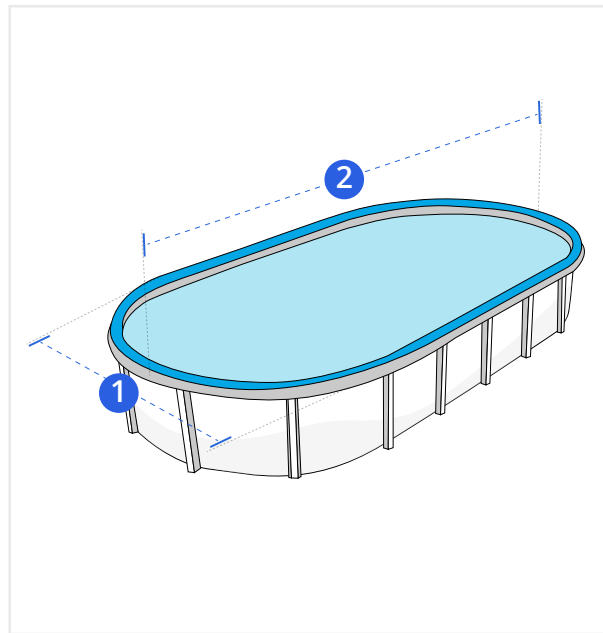


## How to Measure Oval Pool Covers - Above Ground

### Measurement Instruction

✓ Give exact measurement from edge to edge.

✓ We add 24" leeway on each side.



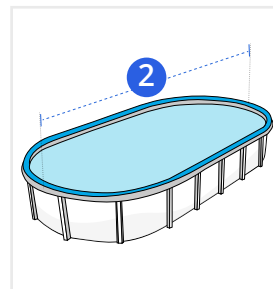
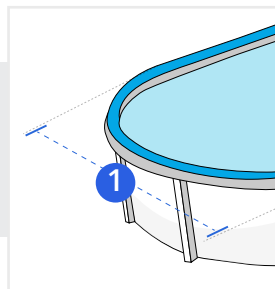
### Measurement (Inches)

1. Width

2. Length

#### 1. Width:

Width of the Pool Cover



#### 2. Length:

Length of the Pool Cover

We encourage you to upload the image of the article you need the cover for - this helps our team ensure covers are designed keeping your requirements in mind.