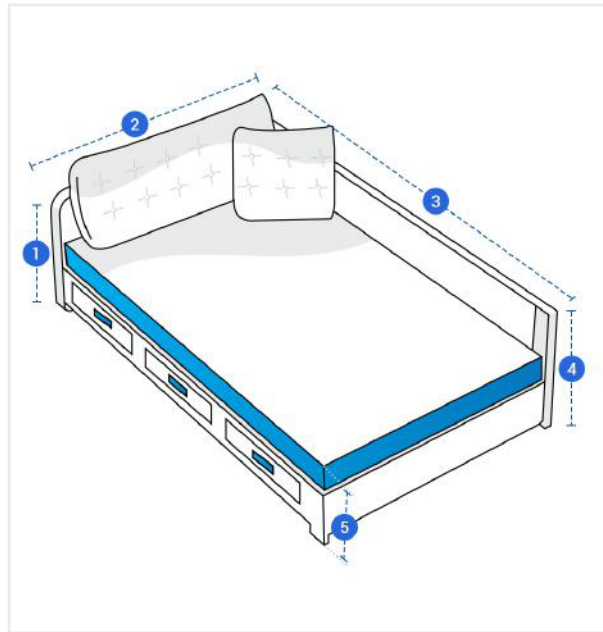


How to Measure Outdoor Daybed Covers - Design 8

Measurement Instruction

- ✓ Give exact measurement from edge to edge.
- ✓ We add 1" to 2" leeway on the given width/depth for easy pull-in and pull-out.
- ✓ The height dimensions will remain same as provided by you.



Measurement (Inches)

1. Height

2. Width

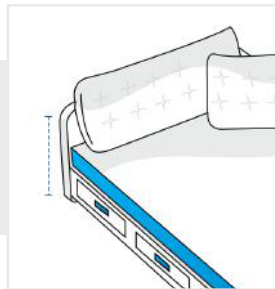
3. Depth

4. Front Height

5. Ground to Cushion Height

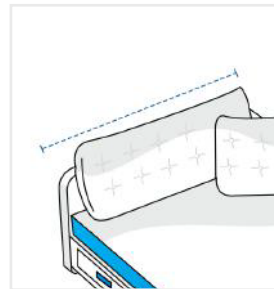
1. Height:

Height of the Outdoor Daybed



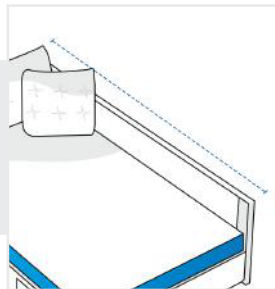
2. Width:

Width of the Outdoor Daybed



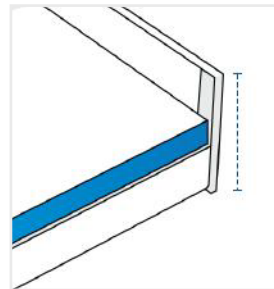
3. Depth:

Depth of the Outdoor Daybed



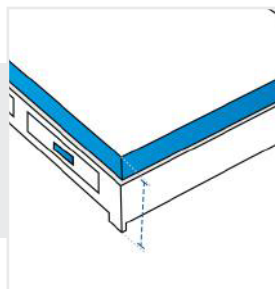
4. Front Height:

Front Height of the Outdoor Daybed



5. Ground to Cushion Height:

Ground to Cushion Height of the Outdoor Daybed



We encourage you to upload the image of the article you need the cover for - this helps our team ensure covers are designed keeping your requirements in mind.