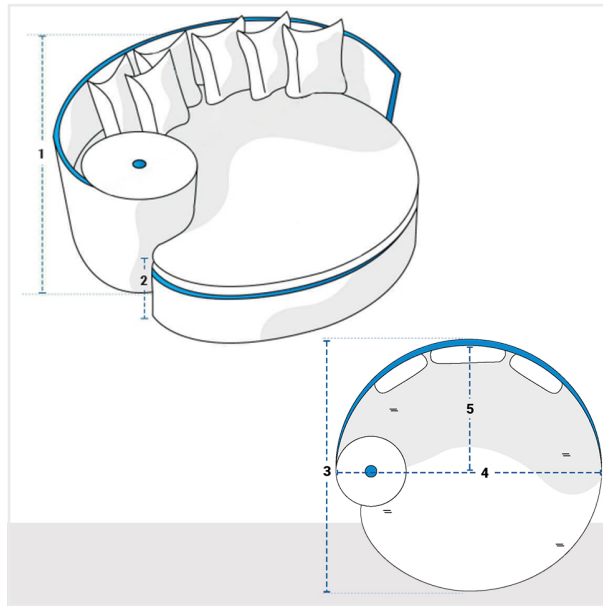


How to Measure Outdoor Daybed Covers - Design 10

Measurement Instruction

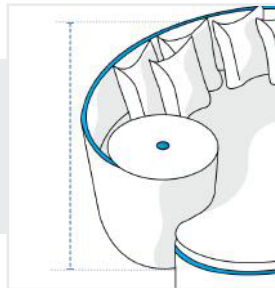
- ✓ Give exact measurement from edge to edge.
- ✓ We add 1" to 2" leeway on the given width/depth for easy pull-in and pull-out.
- ✓ The height dimensions will remain same as provided by you.



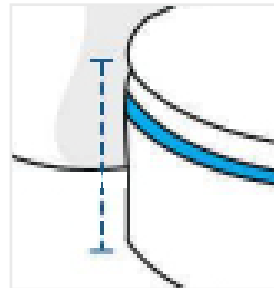
Measurement (Inches)

- | | | | |
|-------------------------------|----------------------|-----------------|----------------------|
| 1. Back Height | <input type="text"/> | 2. Front Height | <input type="text"/> |
| 3. Total Depth | <input type="text"/> | 4. Total Width | <input type="text"/> |
| 5. Depth from back to armrest | <input type="text"/> | | |

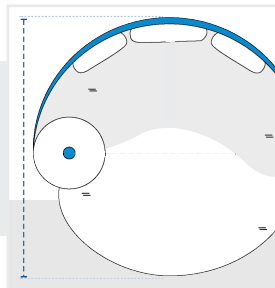
1. Back Height:
Back Height of the Outdoor Daybed



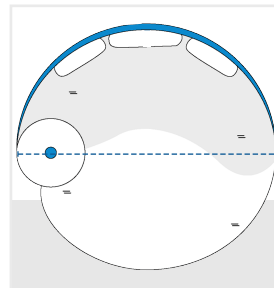
2. Front Height:
Front Height of the Outdoor Daybed



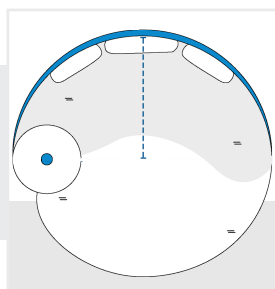
3. Total Depth:
Total Depth of the Outdoor Daybed



4. Total Width
Total Width of the Outdoor Daybed



5. Depth From Back to Armrest:
Depth From back to armrest of the Outdoor Daybed



We encourage you to upload the image of the article you need the cover for - this helps our team ensure covers are designed keeping your requirements in mind.