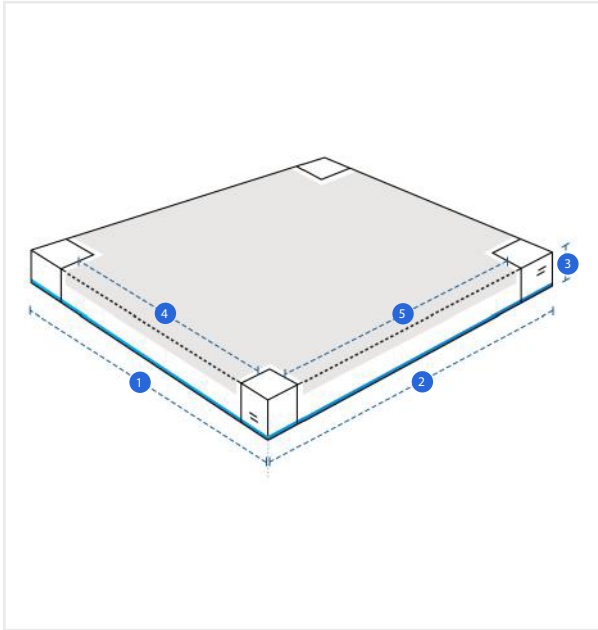


# How to Measure Mesh Custom Sandbox Covers - With 4 Pole Cut-Out

## Measurement Instruction

- ✓ Give exact measurement from edge to edge.
- ✓ The Final size can be +1" to 2" on the given Width and Length
- ✓ The height dimensions will remain same as provided by you.



### Measurement (Inches)

1. Length

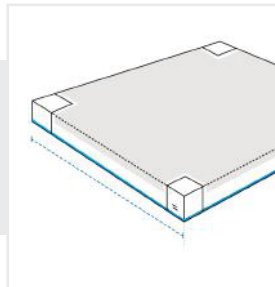
3. Height

5. Width Between 2 Poles

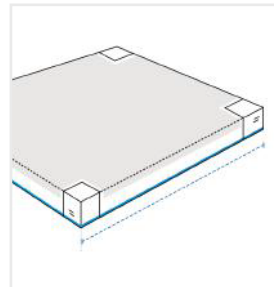
2. Width

4. Length Between 2 Poles

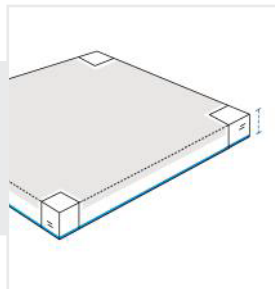
**1. Length:**  
Length of the Mesh Custom Sandbox Covers



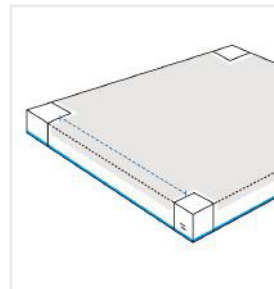
**2. Width:**  
Width of the Mesh Custom Sandbox Covers



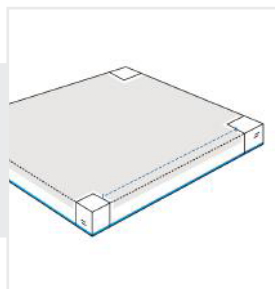
**3. Height:**  
Height of the Mesh Custom Sandbox Covers



**4. Length Between 2 Poles:**  
Length Between 2 Poles of the Mesh Custom Sandbox Covers



**5. Width Between 2 Poles:**  
Width Between 2 Poles of the Mesh Custom Sandbox Covers



We encourage you to upload the image of the article you need the cover for - this helps our team ensure covers are designed keeping your requirements in mind.