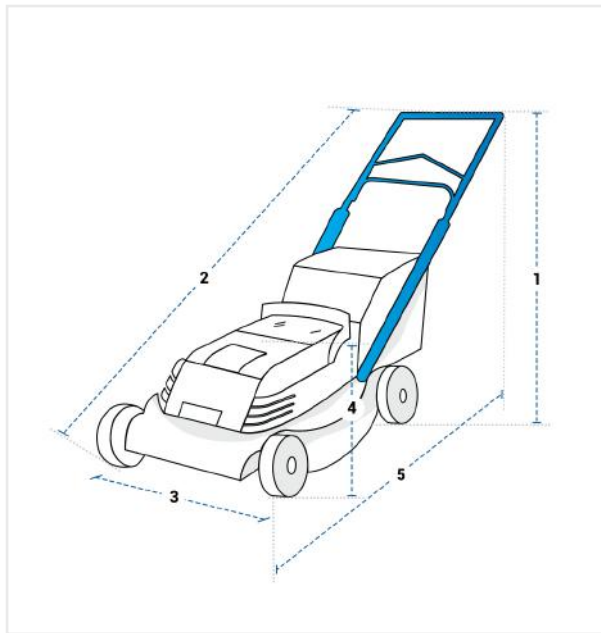


How to Measure Lawn Mower Covers

Measurement Instruction

- ✓ Give exact measurement from edge to edge.
- ✓ We add 1" to 2" leeway on the given width/depth for easy pull-in and pull-out.
- ✓ The height dimensions will remain same as provided by you.



Measurement (Inches)

1. Height

2. Slant Height

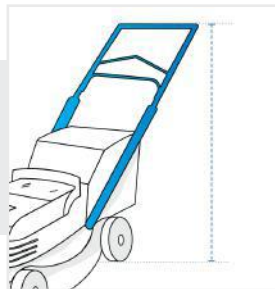
3. Width

4. Front Height

5. Depth

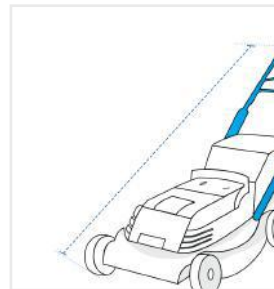
1. Height:

Height of the Lawn Mower



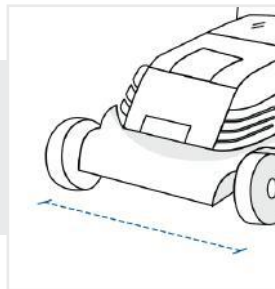
2. Slant Height:

Slant Height of the Lawn Mower



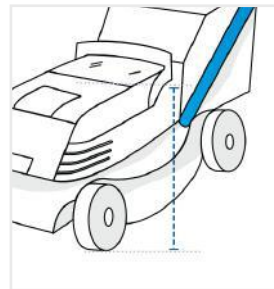
3. Width:

Width of the Lawn Mower



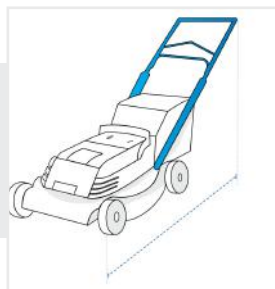
4. Front Height:

Front Height of the Lawn Mower



5. Depth:

Depth of the Lawn Mower



We encourage you to upload the image of the article you need the cover for - this helps our team ensure covers are designed keeping your requirements in mind.