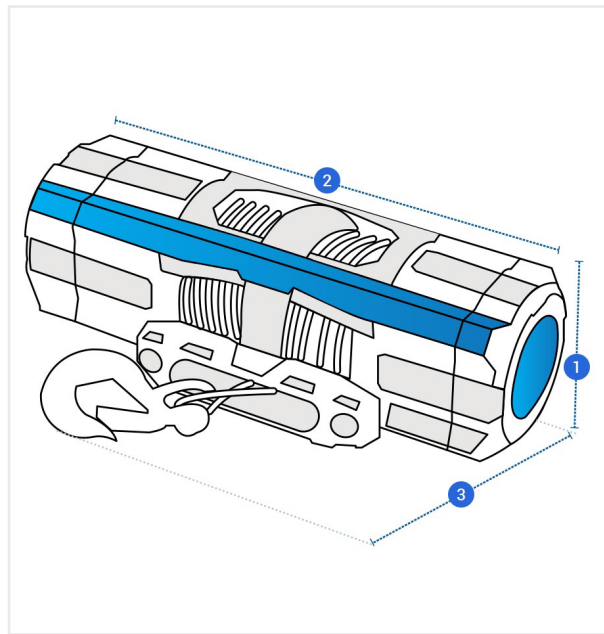


How to Measure Custom WARN Axon Winch Cover

Measurement Instruction

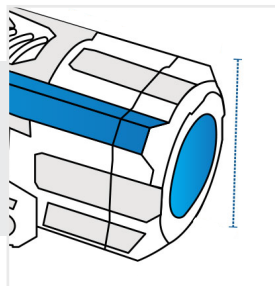
- ✓ Give exact measurement from edge to edge.
- ✓ We add 1" to 2" leeway on the given width/depth for easy pull-in and pull-out.
- ✓ The height dimensions will remain same as provided by you.



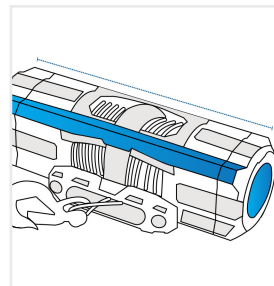
Measurement (Inches)

| | | | |
|-----------|----------------------|----------|----------------------|
| 1. Height | <input type="text"/> | 2. Width | <input type="text"/> |
| 3. Depth | <input type="text"/> | | |

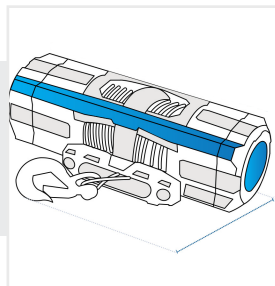
1. Height:
Height of the Custom WARN Axon Winch



2. Width:
Width of the Custom WARN Axon Winch



3. Depth:
Depth of the Custom WARN Axon Winch



We encourage you to upload the image of the article you need the cover for - this helps our team ensure covers are designed keeping your requirements in mind.