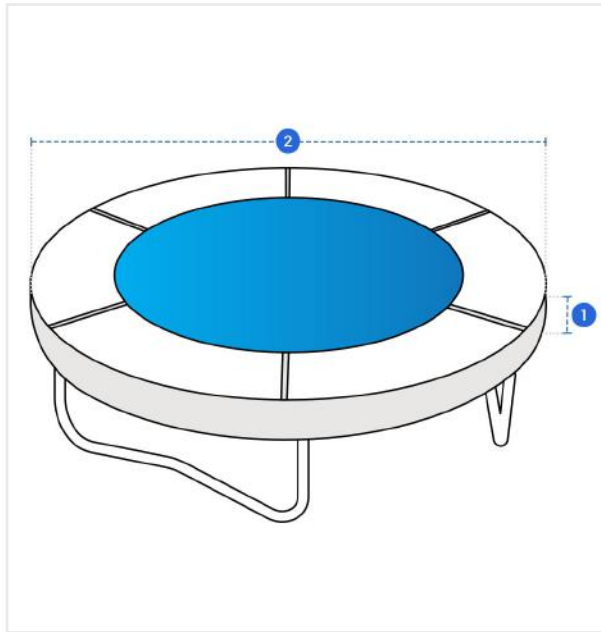


# How to Measure Custom Round Trampoline Cover

## Measurement Instruction

- ✓ Give exact measurement from edge to edge.
- ✓ We add 1" to 2" leeway on the given diameter for easy pull-in and pull-out.
- ✓ The height dimensions will remain same as provided by you.

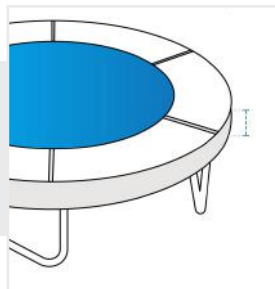


### Measurement (Inches)

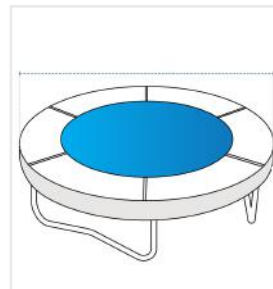
1. Height

2. Diameter

**1. Height:**  
Height of the Custom Round Trampoline



**2. Diameter:**  
Diameter of the Custom Round Trampoline



We encourage you to upload the image of the article you need the cover for - this helps our team ensure covers are designed keeping your requirements in mind.