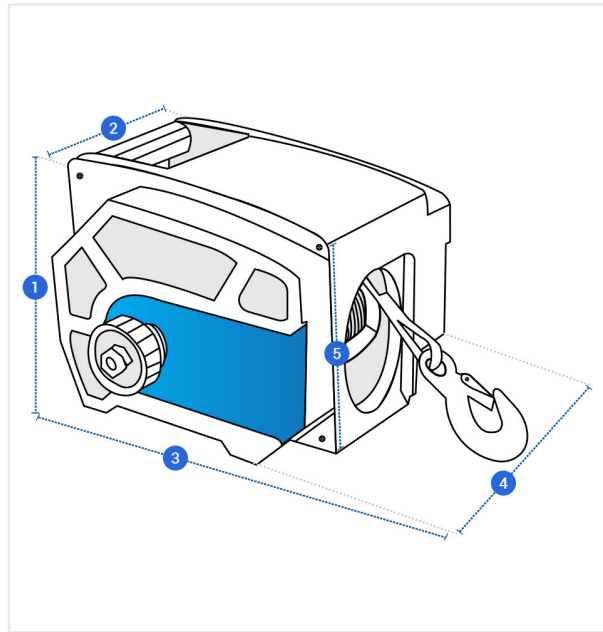


How to Measure Custom Master Lock Portable Electric Winch Cover

Measurement Instruction

- ✓ Give exact measurement from edge to edge.
- ✓ We add 1" to 2" leeway on the given width/depth for easy pull-in and pull-out.
- ✓ The height dimensions will remain same as provided by you.



Measurement (Inches)

1. Back Height

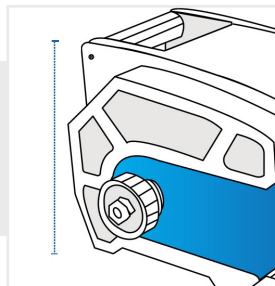
3. Depth

5. Front Height

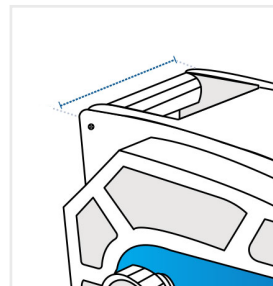
2. Back Width

4. Front Width

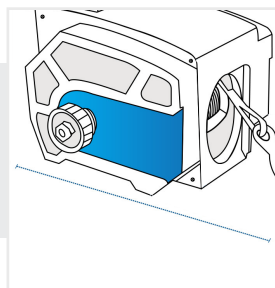
1. Back Height:
Back Height of the Custom Master Lock Portable Electric Winch



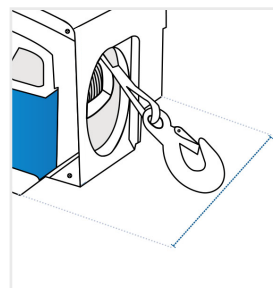
2. Back Width:
Back Width of the Custom Master Lock Portable Electric Winch



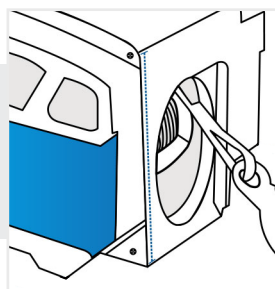
3. Depth:
Depth of the Custom Master Lock Portable Electric Winch



4. Front Width:
Front Width of the Custom Master Lock Portable Electric Winch



5. Front Height:
Front Height of the Custom Master Lock Portable Electric Winch



We encourage you to upload the image of the article you need the cover for - this helps our team ensure covers are designed keeping your requirements in mind.