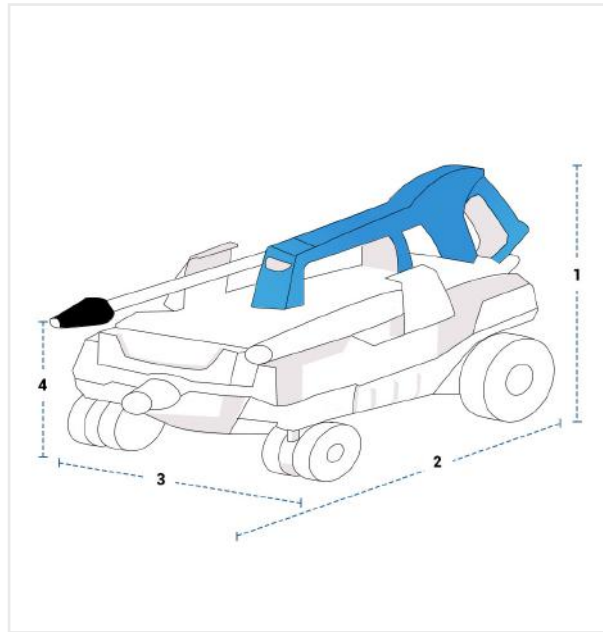


How to Measure Custom Pressure Washer Covers - Design 6

Measurement Instruction

- ✓ Give exact measurement from edge to edge.
- ✓ We add 1" to 2" leeway on the given width/depth for easy pull-in and pull-out.
- ✓ The height dimensions will remain same as provided by you.



Measurement (Inches)

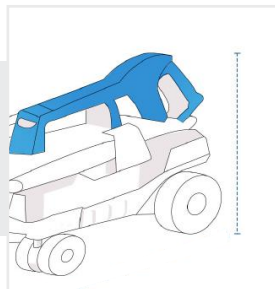
1. Back Height

2. Total Depth

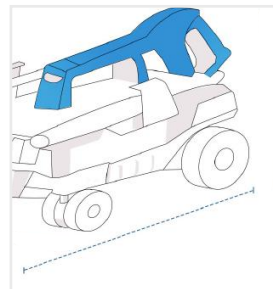
3. Width

4. Front Height

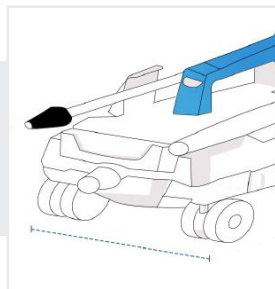
1. Back Height:
Back Height of the Custom Pressure Washer



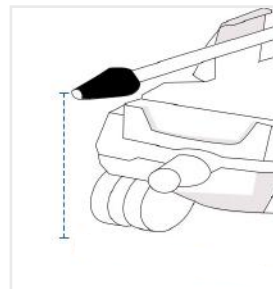
2. Total Depth:
Total Depth of the Custom Pressure Washer



3. Width:
Width of the Custom Pressure Washer



4. Front Height:
Front Height of the Custom Pressure Washer



We encourage you to upload the image of the article you need the cover for - this helps our team ensure covers are designed keeping your requirements in mind.