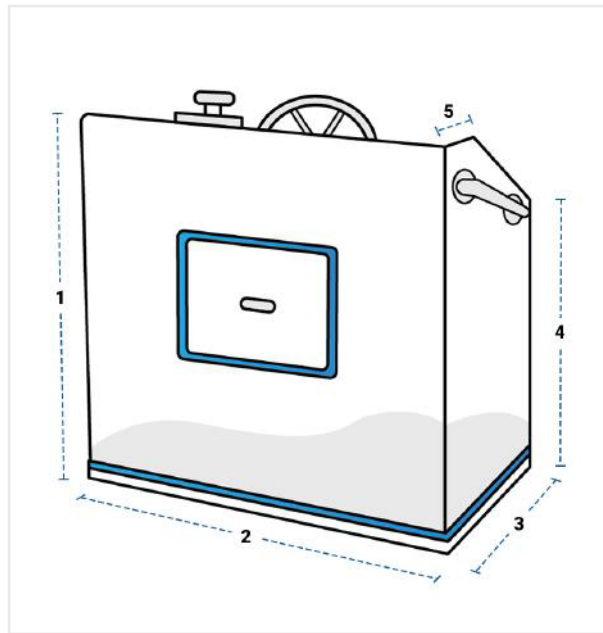


# How to Measure Custom Boat Center Console Covers

## Measurement Instruction

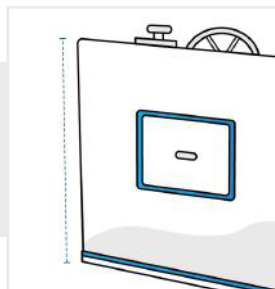
- ✓ Give exact measurement from edge to edge.
- ✓ We add 1" to 2" leeway on the given width/depth for easy pull-in and pull-out.
- ✓ The height dimensions will remain same as provided by you.



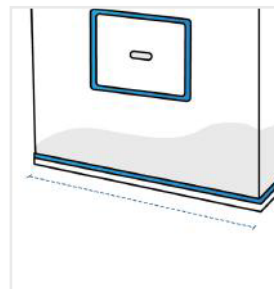
### Measurement (Inches)

1. Height	<input type="text"/>	2. Width	<input type="text"/>
3. Bottom Depth	<input type="text"/>	4. Back Height	<input type="text"/>
5. Top Depth	<input type="text"/>		

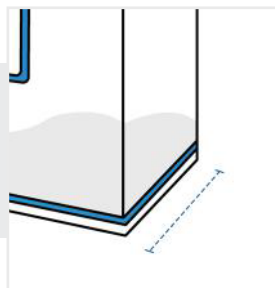
**1. Height:**  
Height of the Custom Boat Center Console



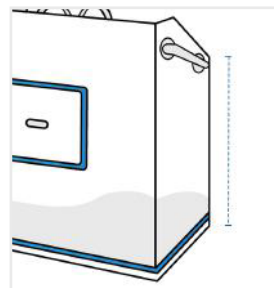
**2. Width:**  
Width of the Custom Boat Center Console



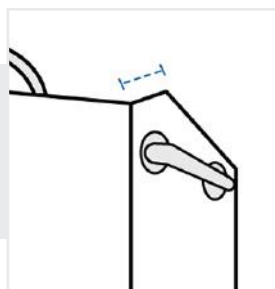
**3. Bottom Depth:**  
Bottom Depth of the Custom Boat Center Console



**4. Back Height:**  
Back Height of the Custom Boat Center Console



**5. Top Depth:**  
Top Depth of the Custom Boat Center Console



We encourage you to upload the image of the article you need the cover for - this helps our team ensure covers are designed keeping your requirements in mind.