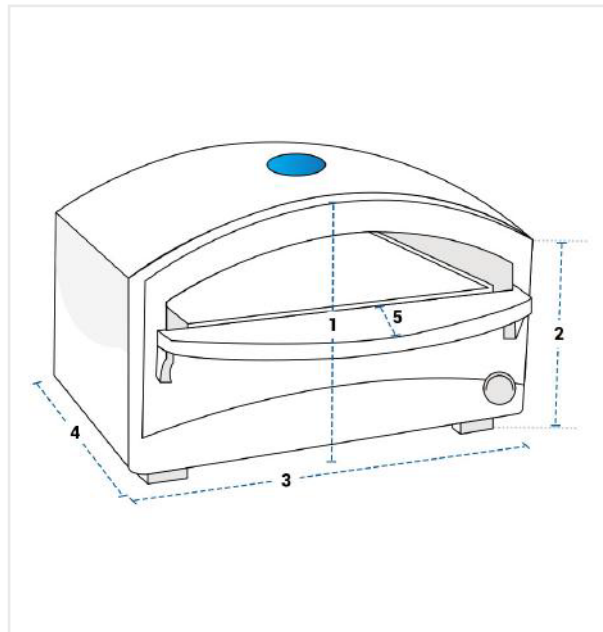


How to Measure Outdoor Pizza Oven Covers - Design 3

Measurement Instruction

- ✓ Give exact measurement from edge to edge.
- ✓ We add 1" to 2" leeway on the given width/depth for easy pull-in and pull-out.
- ✓ The height dimensions will remain same as provided by you.



Measurement (Inches)

1. Height

2. Height #1

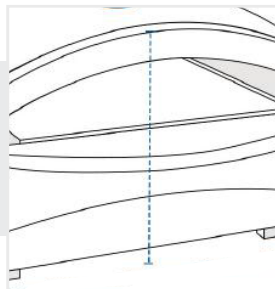
3. Width

4. Depth

5. Depth #1

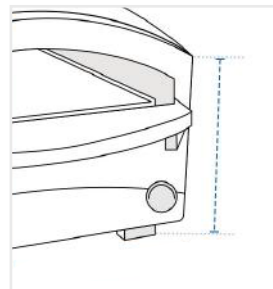
1. Height:

Height of the Outdoor Pizza Oven



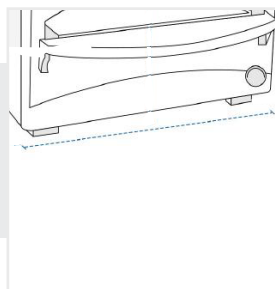
2. Height #1:

Height (side of #1) of the Outdoor Pizza Oven



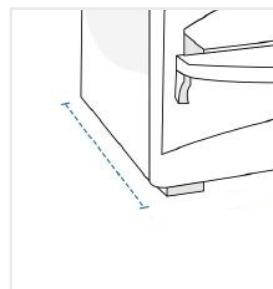
3. Width:

Width of the Outdoor Pizza Oven



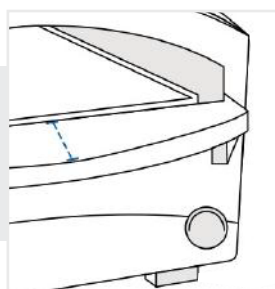
4. Depth:

Depth of the Outdoor Pizza Oven



5. Depth #1:

Depth (side of #1) of the Outdoor Pizza Oven



We encourage you to upload the image of the article you need the cover for - this helps our team ensure covers are designed keeping your requirements in mind.