

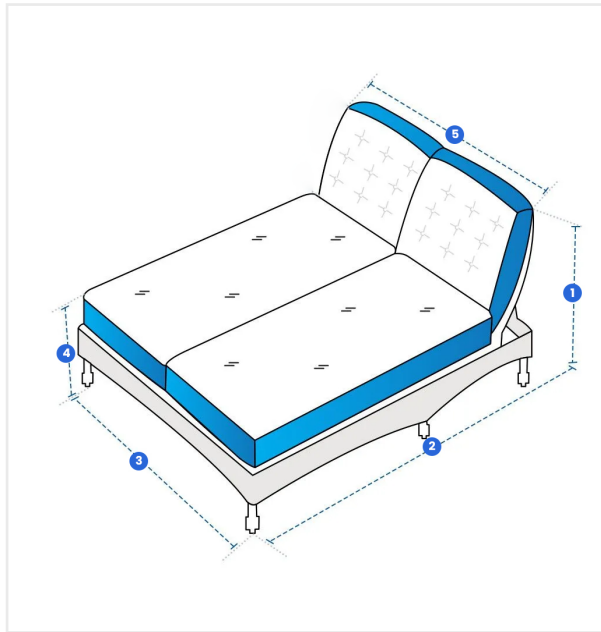
How to Measure Chaise Lounge Covers - Design 4

Measurement Instruction

Give exact measurement from edge to edge.

✓ "We add upto 2" leeway on the given width/depth for easy pull-in and pull-out."

The height dimensions will remain same as provided by you.



Measurement (Inches)

1. Back Height

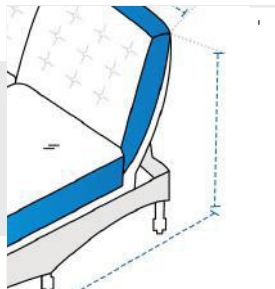
2. Depth

3. Front Width

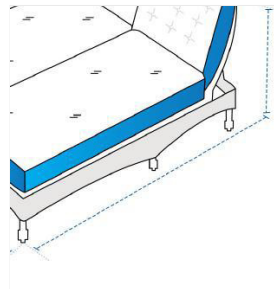
4. Front Height

5. Back Width

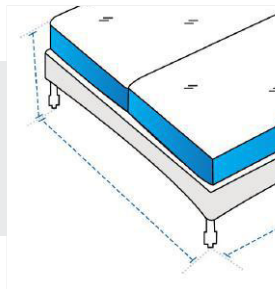
1. Back Height:
Back Height of the Chaise



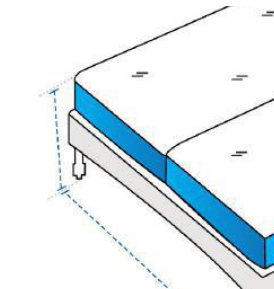
2. Depth:
Depth of the Chaise



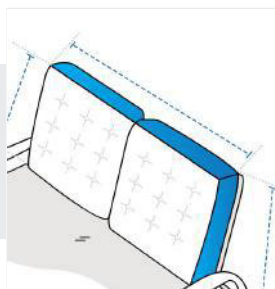
3. Front Width:
Front Width of the Chaise



4. Front Height:
Front Height of the Chaise



5. Back Width:
Back Width of the Chaise



We encourage you to upload the image of the article you need the cover for - this helps our team ensure covers are designed keeping your requirements in mind.