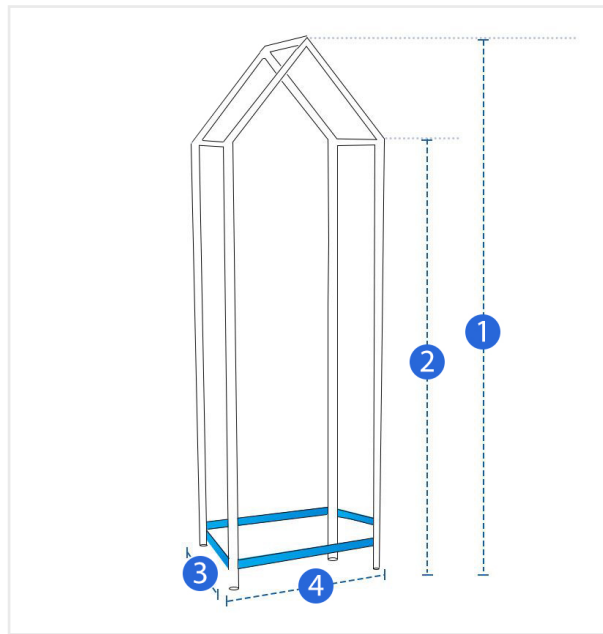


How to Measure Custom Firewood Rack Cover - Design 5

Measurement Instruction

- ✓ Give exact measurement from edge to edge.
- ✓ "We add upto 2" leeway on the given width/depth for easy pull-in and pull-out."
- ✓ The height dimensions will remain same as provided by you.



Measurement (Inches)

1. Height

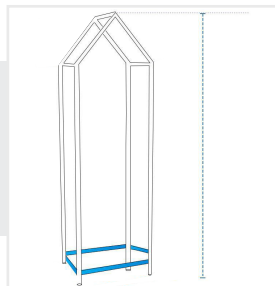
2. Height till Edge

3. Depth

4. Width

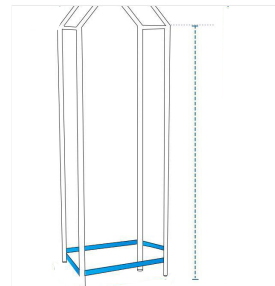
1. Height:

Height of the Custom Firewood Rack



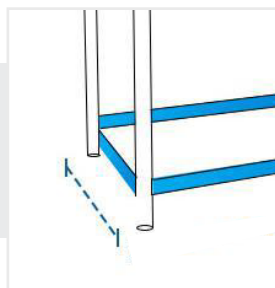
2. Height till Edge:

Height till Edge of the Custom Firewood Rack



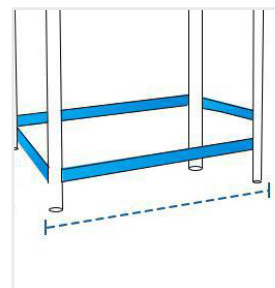
3. Depth:

Depth of the Custom Firewood Rack



4. Width:

Width of the Custom Firewood Rack



We encourage you to upload the image of the article you need the cover for - this helps our team ensure covers are designed keeping your requirements in mind.