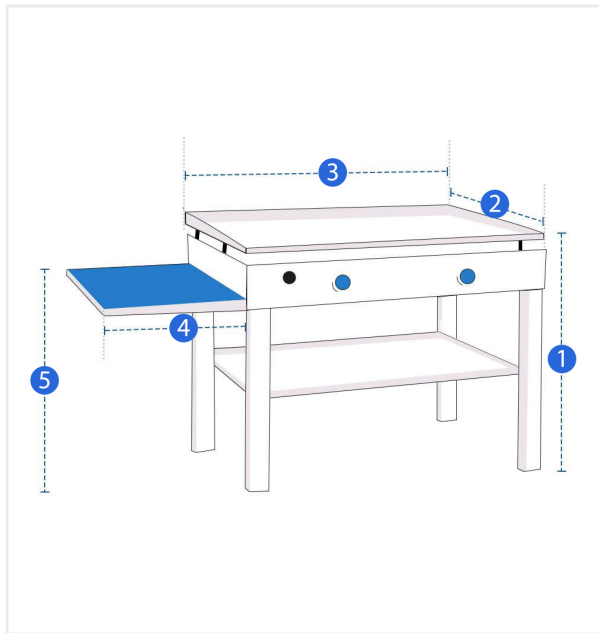


How to Measure Custom Griddle Covers - Design 1

Measurement Instruction

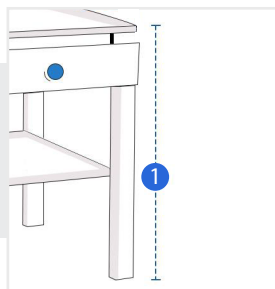
- ✓ Give exact measurement from edge to edge.
- ✓ We add 1" to 2" leeway on the given width/depth for easy pull-in and pull-out.
- ✓ The height dimensions will remain same as provided by you.
- ✓ All measurements will be done in inches.



Measurement (Inches)

1. Total height	<input type="text"/>	2. Depth of Griddle	<input type="text"/>
3. Width of Griddle	<input type="text"/>	4. Width of Shelf	<input type="text"/>
5. Height (Shelf to the Ground)	<input type="text"/>		

1. Total height:
Total height of Griddle



2. Depth:
Depth of Griddle



3. Width:
Width of Griddle



4. Width of Shelf:
Width of Shelf of Griddle



We encourage you to upload the image of the article you need the cover for - this helps our team ensure covers are designed keeping your requirements in mind.

How to Measure Custom Griddle Covers - Design 1

Measurement Instruction

- ✓ Give exact measurement from edge to edge.
- ✓ We add 1" to 2" leeway on the given width/depth for easy pull-in and pull-out.
- ✓ The height dimensions will remain same as provided by you.
- ✓ All measurements will be done in inches.

5. Height (Shelf to the Ground)

Height (Shelf to Shelf) of the Griddle



We encourage you to upload the image of the article you need the cover for - this helps our team ensure covers are designed keeping your requirements in mind.