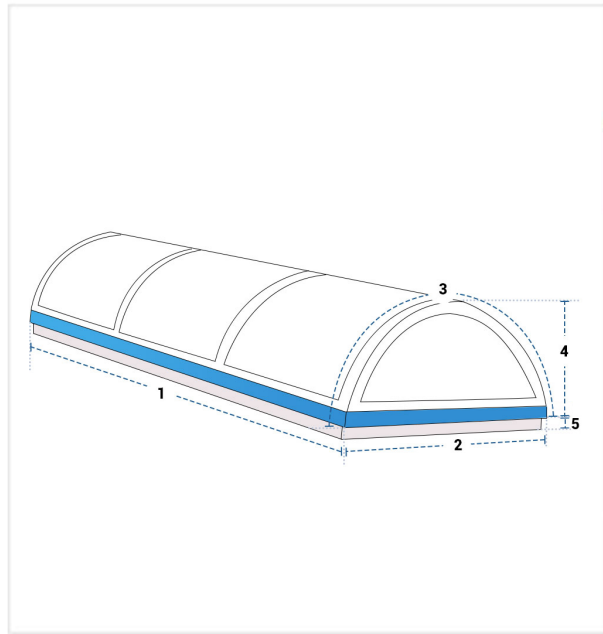


# How to Measure Custom Skylight Covers - Barrel Vaulted

## Measurement Instruction

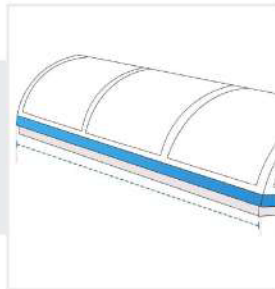
- ✓ Give exact measurement from edge to edge.
- ✓ We add 1" to 2" leeway on the given width/depth for easy pull-in and pull-out.
- ✓ The height dimensions will remain same as provided by you.



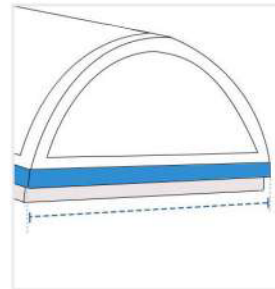
### Measurement (Inches)

- |  |                      |  |                      |
|--|----------------------|--|----------------------|
| 1. Length of the Metal frame                   | <input type="text"/> | 2. Width of the Metal frame            | <input type="text"/> |
| 3. Distance over the Curved Part of the Barrel | <input type="text"/> | 4. Distance between Bottom Edge to Top | <input type="text"/> |
| 5. Height                                      | <input type="text"/> |  |                      |

**1. Length of the Metal frame:**  
Length of the Metal frame of Skylight

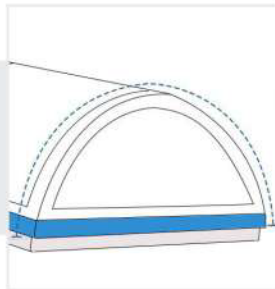


**2. Width of the Metal frame:**  
Width of the Metal frame of Skylight



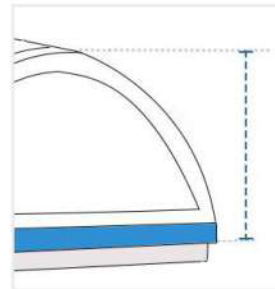
**3. Distance over the Curved Part of the Barrel:**

Distance over the Curved Part of the Barrel of Skylight

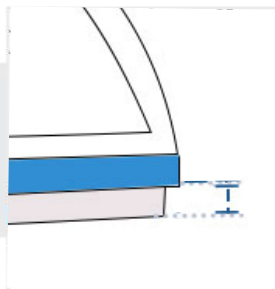


**4. Distance between Bottom Edge to Top:**

Distance between Bottom Edge to Top of Skylight



**5. Height:**  
Height of the Sky light



We encourage you to upload the image of the article you need the cover for - this helps our team ensure covers are designed keeping your requirements in mind.