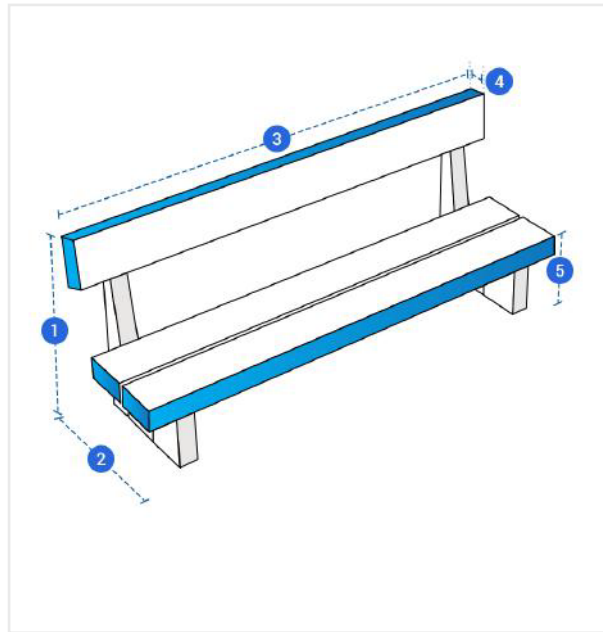


How to Measure Custom Bench Covers - Design 2

Measurement Instruction

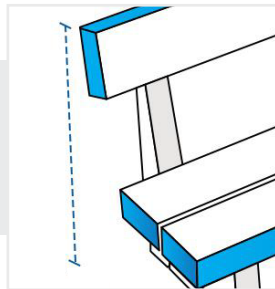
- ✓ Give exact measurement from edge to edge.
- ✓ We add 1" to 2" leeway on the given width/depth for easy pull-in and pull-out.
- ✓ The height dimensions will remain same as provided by you.



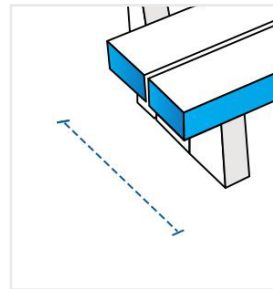
Measurement (Inches)

1. Back Height	<input type="text"/>	2. Depth	<input type="text"/>
3. Width	<input type="text"/>	4. Depth#1	<input type="text"/>
5. Front Height	<input type="text"/>		

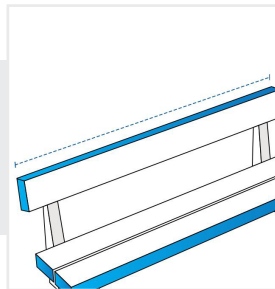
1. Back Height:
Back Height of the Custom Bench



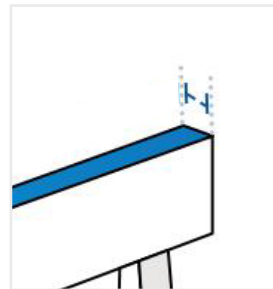
2. Depth:
Depth of the Custom Bench



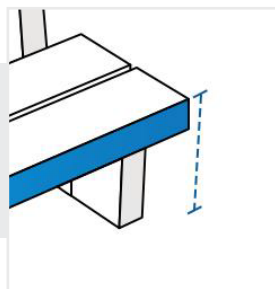
3. Width:
Width of the Custom Bench



4. Depth#1:
Depth (Side #1)



5. Front Height:
Front Height of the Custom Bench



We encourage you to upload the image of the article you need the cover for - this helps our team ensure covers are designed keeping your requirements in mind.