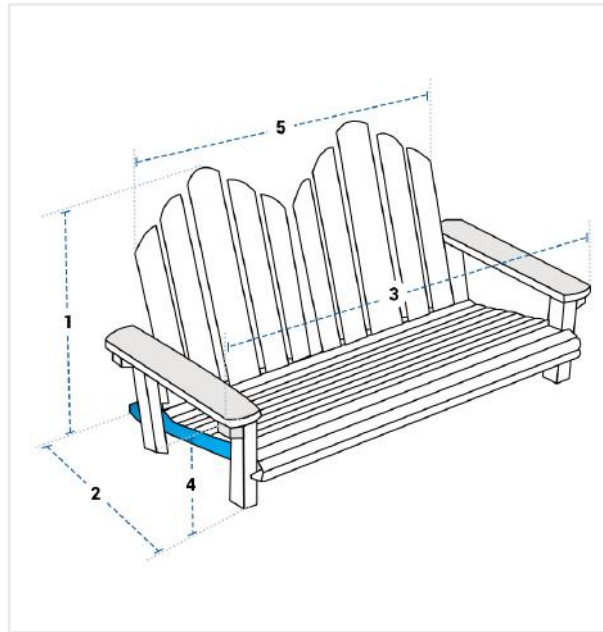


How to Measure Custom Adirondack Chair Covers - Design 5

Measurement Instruction

- ✓ Give exact measurement from edge to edge.
- ✓ We add 1" to 2" leeway on the given width/depth for easy pull-in and pull-out.
- ✓ The height dimensions will remain same as provided by you.



Measurement (Inches)

1. Back Height

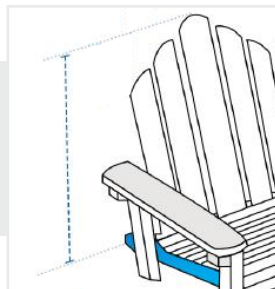
3. Front Width

5. Back Width

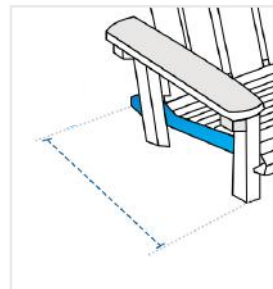
2. Depth

4. Front Height

1. Back Height:
Back Height of the Custom Adirondack Chair



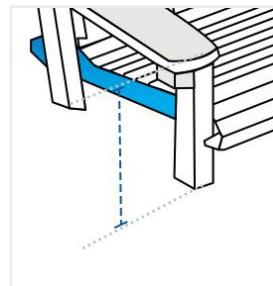
2. Depth:
Depth of the Custom Adirondack Chair



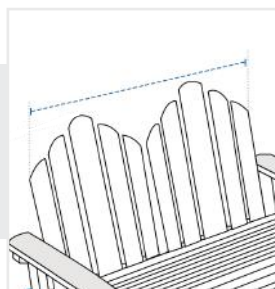
3. Front Width:
Front Width of the Custom Adirondack Chair



4. Front Height:
Front Height of the Custom Adirondack Chair



5. Back Width:
Back Width of the Custom Adirondack Chair



We encourage you to upload the image of the article you need the cover for - this helps our team ensure covers are designed keeping your requirements in mind.